



TECHNICAL DATA

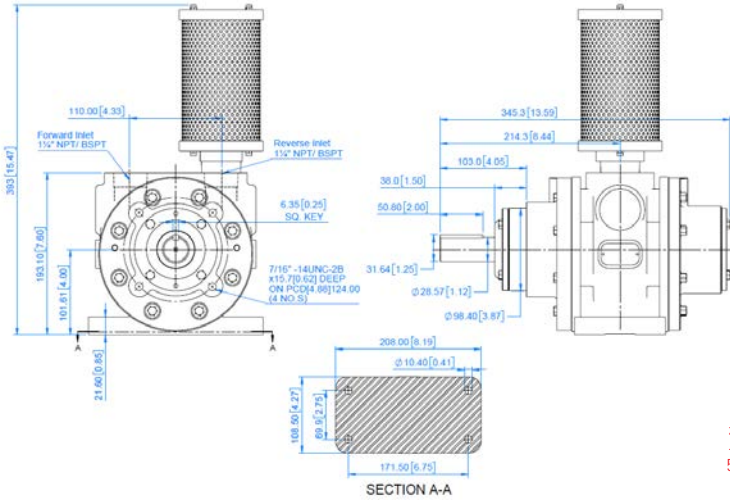
RELEASED:13/09/2024
 REVISED:
 REV: 00

Face / Foot

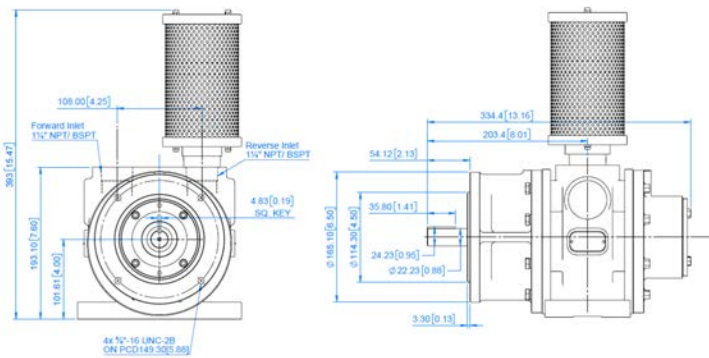
IEC / Nema

16VM Ex PNEUMATIC VANE MOTOR

DIMENSIONAL DATA - FACE & FOOT MOUNTING 16VM



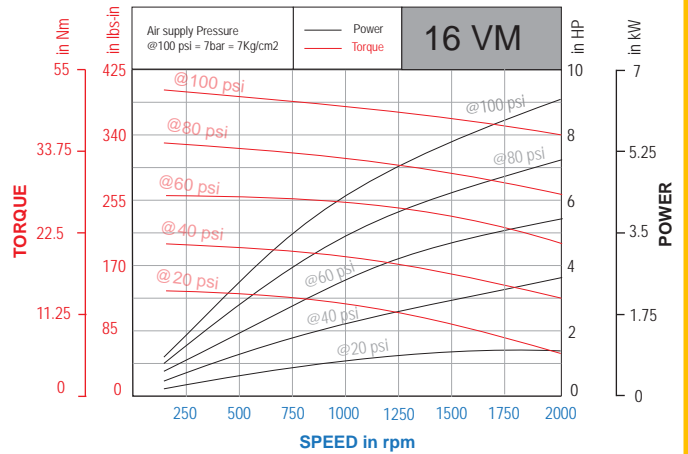
DIMENSIONAL DATA - NEMA FLANGE MOUNTING 16VM



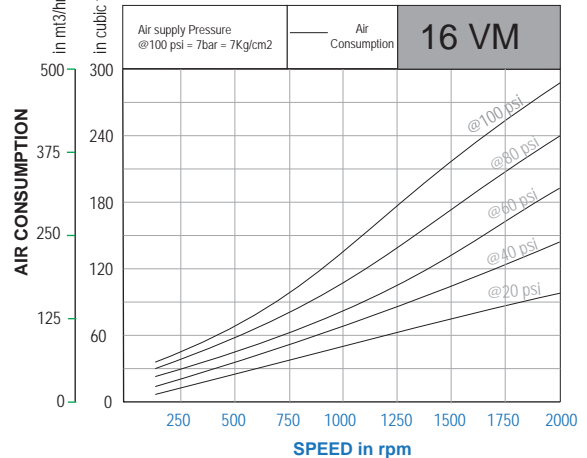
PERFORMANCE DATA

Max Output Power	7.1kW (9.5hp)
Speed at Max Power	2000 RPM
Maximum Torque	43Nm (380lb-In)
Air Consumption at Max Power	475m ³ /hr (275cfm)
Ambient Safe Operating Temperature	
• Non Explosive Zone	0°C to 120°C
• Explosive Zone	0°C to 40°C
Maximum Allowable Operating Speed In any Direction	2000 RPM
Working Pressure	7kg/cm ² (100 psi)

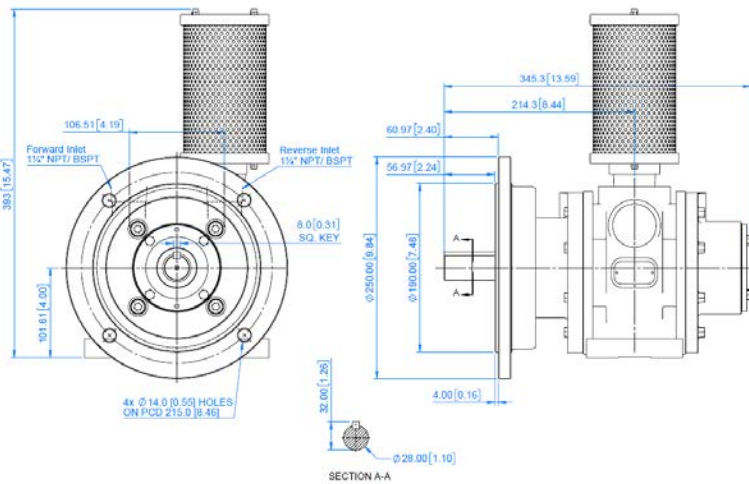
POWER & TORQUE GRAPH



AIR CONSUMPTION GRAPH



DIMENSIONAL DATA - IEC MOUNTING 16VM



WEIGHTS & FINISH

Air Motor Type	Weight	Finish
Face Mounting	36.1 kgs (79.6 lbs)	Silver
Foot Mounting	36.1 kgs (79.6 lbs)	Silver
IEC Mounting	41.5 kgs (91.5 lbs)	Silver
NEMA Mounting	36.5 kgs (80.4 lbs)	Silver

AIR MOTOR NOMENCLATURE

X	X	X	X	X	X	X	X	X
Size	Motor Type	Mounting	Lubricated or Lube-Free	Material of Construction	Explosion Proof	Threading on Inlet and Outlet	Direction of Rotation	No of Vanes
1	VM- Vane Type	L- Face Type	A- Lubricated	L - SG Iron	EX	R - NPT	C - Clockwise	4
2		S- Foot Type		O - Lube Free		S - SS	G - BSPT	
4		T - Hub		A - Aluminum		P - BSPP	R - Reversible	6
6		D - IEC Flange Type						8
8		N - NEMA Flange Type						
16								

MODEL NUMBERS

16VML ALEX RR6 TE	16VML ALEX RR8 TE
16VM SALEX RR6 TE	16VM SALEX RR8 TE
16VM NALEX RR6 TE	16VMN ALEX RR8 TE
16VMD ALEX RR 6TE	16VMD ALEX RR8 TE
16VML ALEX GR6 TE	16VML ALEX GR8 TE
16VM SALEX GR6 TE	16VMS ALEX GR8 TE
16VMN ALEX GR6 TE	16VMN ALEX GR8 TE
16VMD ALEX GR6 TE	16VMD ALEX GR8 TE



II 2GD Ex h IIC T4 Gb

II 2GD Ex h IIIC T135° C Db